

# Get Connected

## How to hookup new video sources and game systems to a TV with no A/V inputs

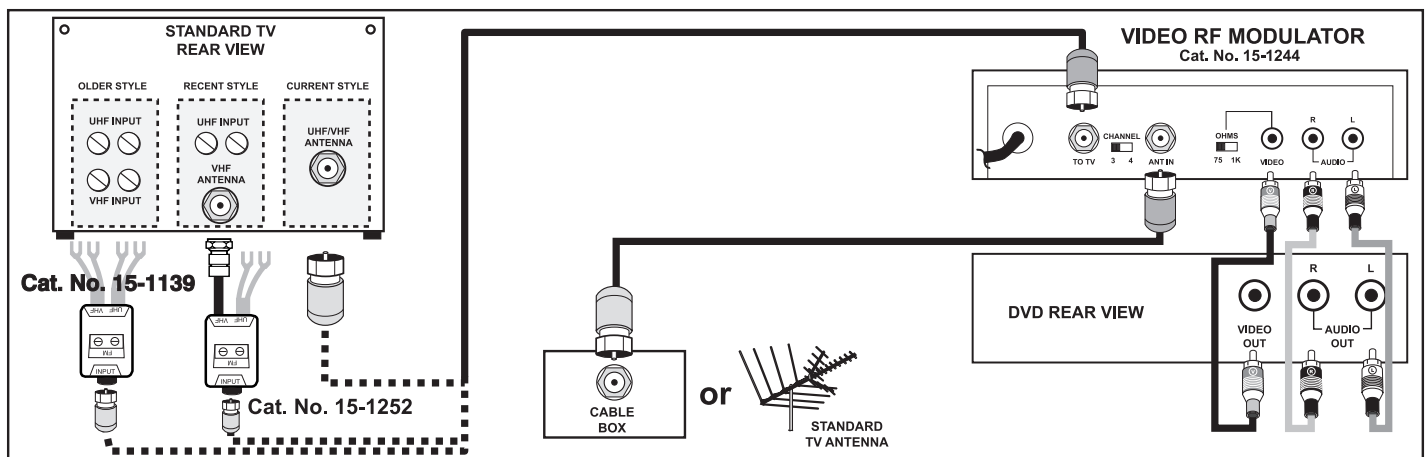
You finally did it. You bought that new DVD player, satellite receiver or game system you've been wanting. You're excited. You're ready to go. But first you have to hook it all up. Now you discover your new goodies require phono connection A/V (audio/video) inputs on the back of your TV in order to work. Your TV only has a round 75-Ohm coax connector. Or worse, there are four little screws marked UHF/VHF. What do you do?

RadioShack can help. This quick reference connection guide shows the most typical configurations and how to make the best hookup from newer video and game sources to a TV that does not have phono type A/V inputs, or one that does not have enough A/V inputs for your current home entertainment system.

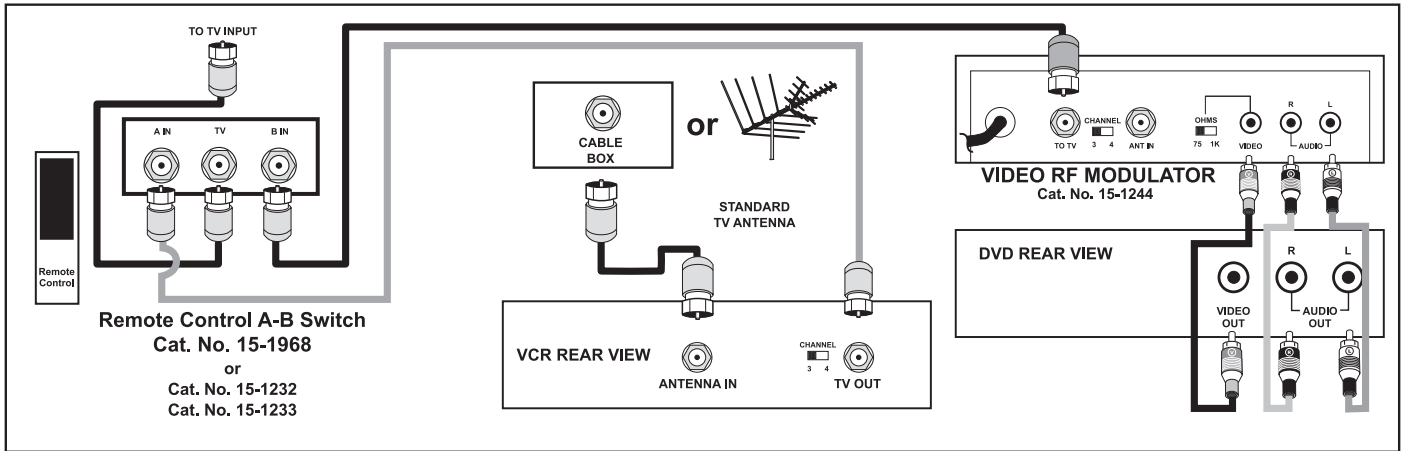


**G**et the most out of your system with RadioShack **Gold Series** accessories. These high performance connectors and cables actually improve signal transfer, enhancing your home entertainment investment by delivering the best possible picture and sound.

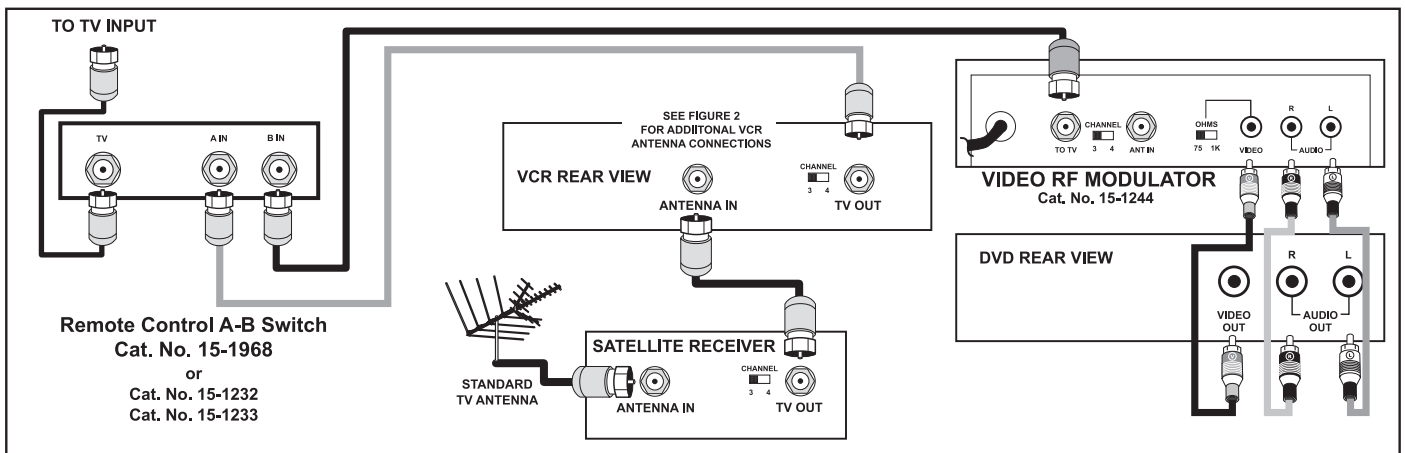
Figure 1: Adding a DVD player to your TV



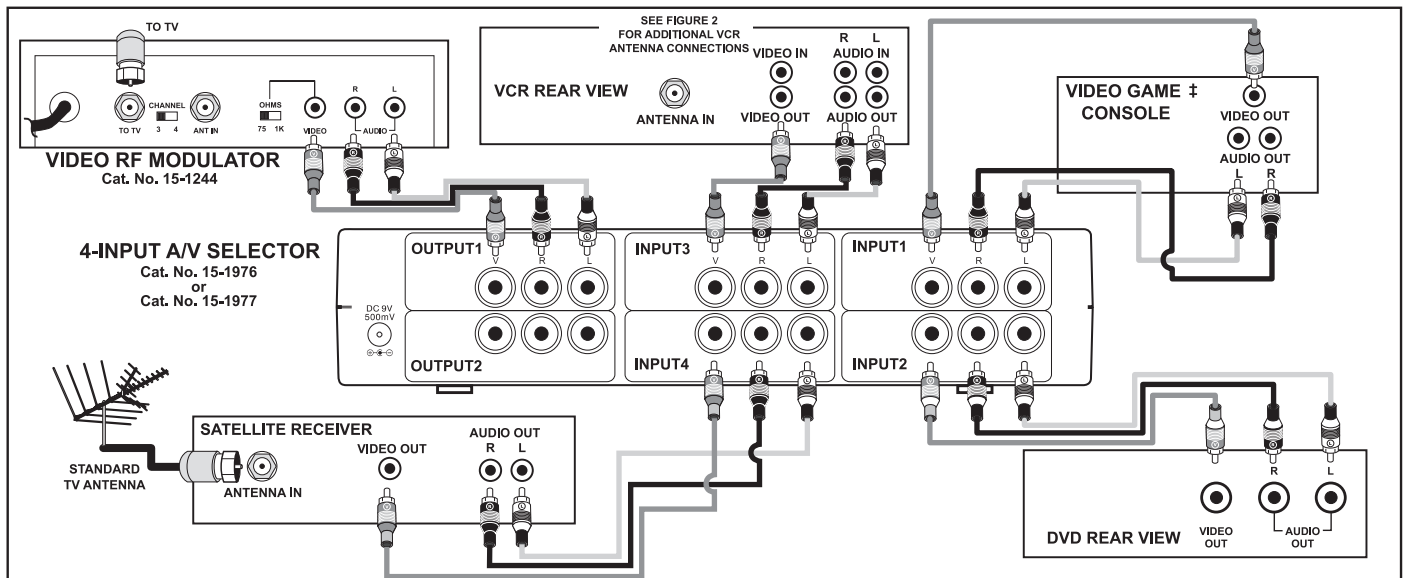
**Figure 2: Adding a DVD player and a VCR to your TV**



**Figure 3: Adding a DVD player, a VCR and a satellite receiver to your TV**



**Figure 4: Adding a DVD player, a VCR, a satellite receiver and a game system to your TV**



‡ Some game systems with S-video output require a separate adapter.